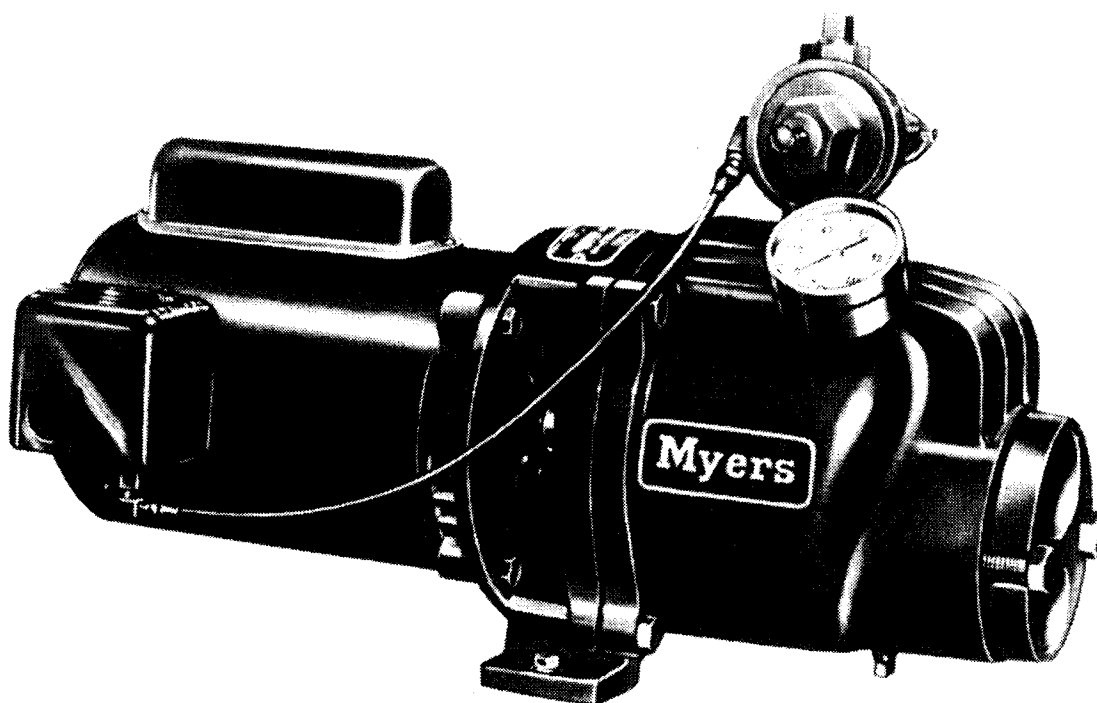


Myers®

HC Convertible Pump Parts List

Single Stage - Shallow or Deep Well - $\frac{1}{3}$, $\frac{1}{2}$, $\frac{3}{4}$, 1 HP



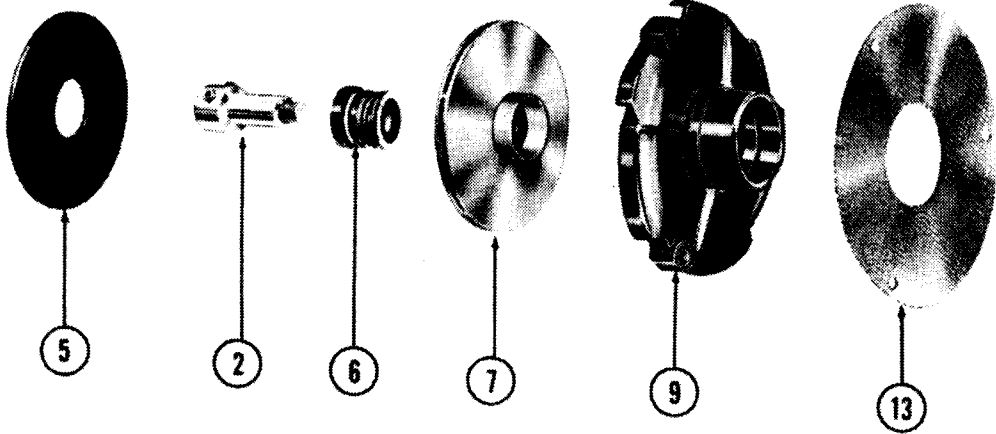
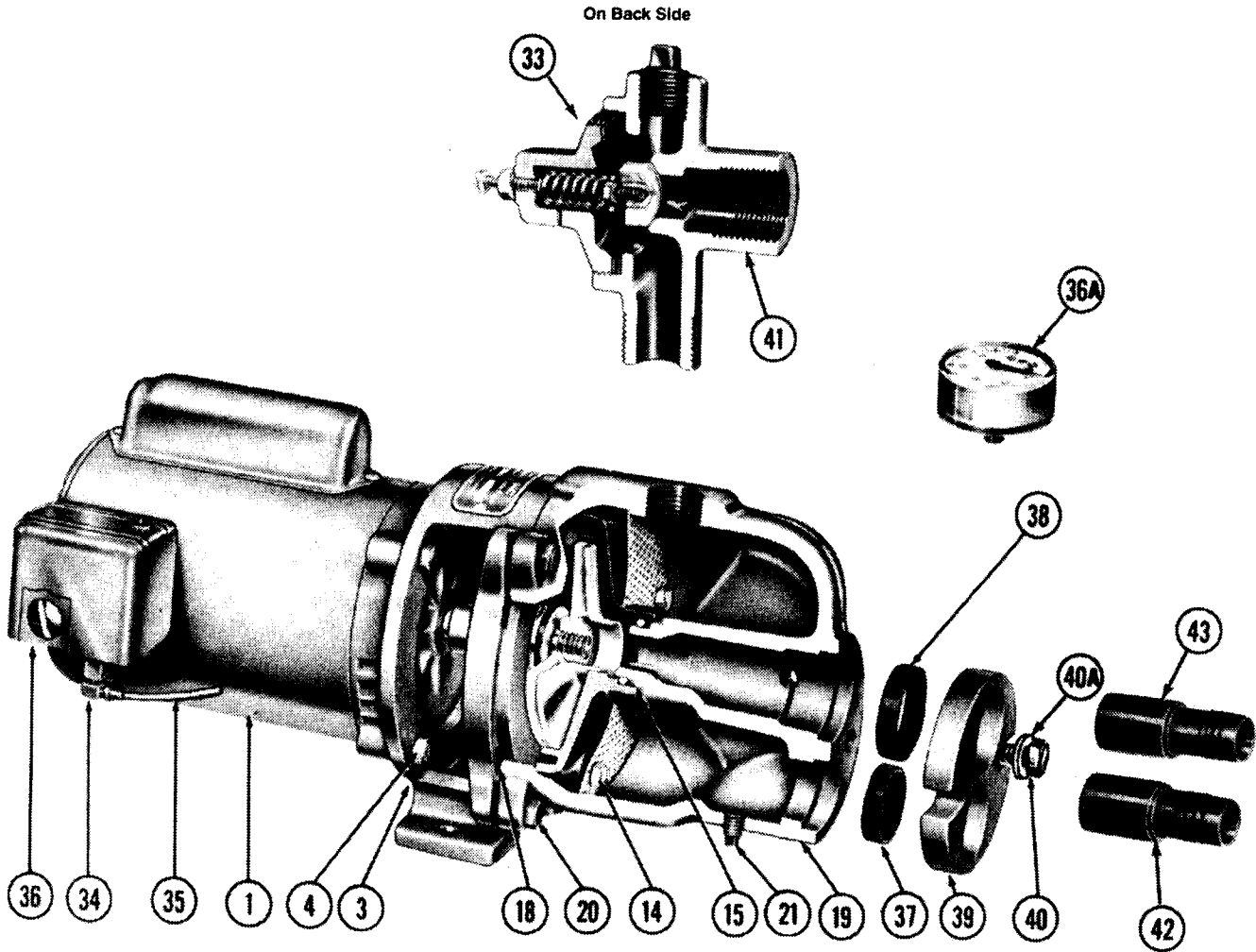
Serial Numbers 1058 and 460 Plus Year Made.

ILLUSTRATION Serial Number 460

Convertible Pump Parts List

Single Phase - 60 Cycle - 1/3, 1/2, 3/4, 1 HP

Serial Numbers 1058 and 460 Plus Year Made. ILLUSTRATION AND PARTS LIST Serial Number 460.



Convertible Pump Parts List

Single Phase - 60 Cycle - 1/3, 1/2, 3/4, 1 HP

| PUMP NAME PLATE CATALOG NUMBER | | HC-33 | | HC-50 | | HC-75 | | HC-100 | |
|--------------------------------|---|----------|-----------|----------|-----------|----------|-----------|----------|-----------|
| MOTOR HORSEPOWER | | 1/3 | | 1/2 | | 3/4 | | 1 | |
| CYCLES OF MOTOR | | 60 | | 60 | | 60 | | 60 | |
| Ref. No. | NAME OF PART | No. Req. | PART NO. | No. Req. | PART NO. | No. Req. | PART NO. | No. Req. | PART NO. |
| 1 | Motor, 1/3 HP | 1 | 11676A000 | | | | | | |
| 1 | Motor, 1/2 HP | | | 1 | 11537A000 | | | | |
| 1 | Motor, 3/4 HP | | | | | 1 | 11574A000 | | |
| 1 | Motor, 1 HP | | | | | | | 1 | 11578A000 |
| 2 | Shaft with Set Screws | 1 | 12524A001 | 1 | 12524A001 | 1 | 12524A001 | 1 | 12524A001 |
| | Set Screw for Shaft | 2 | 05013A048 | 2 | 05013A048 | 2 | 05013A048 | 2 | 05013A048 |
| 3 | Motor Bracket | 1 | 12523D001 | 1 | 12523D001 | 1 | 14447D001 | 1 | 14447D001 |
| 4 | Cap Screw, 3/8"-16 NC, 7/8" Long, Bracket to Motor | 4 | 19101A008 | 4 | 19101A008 | 4 | 19101A008 | 4 | 19101A008 |
| 5 | Slinger - for Units with Separate Slinger | 1 | 05059A318 | 1 | 05059A318 | 1 | 05059A318 | 1 | 05059A318 |
| 6 | Seal for Shaft | 1 | 11416A000 | 1 | 11416A000 | 1 | 11416A000 | 1 | 11416A000 |
| 7 | Impeller | 1 | 14327B000 | 1 | 14328B000 | 1 | 14330B000 | 1 | 14329B000 |
| 9 | Diffuser | 1 | 14306B000 | 1 | 14307B000 | 1 | 14379B000 | 1 | 14380B000 |
| 13 | Screen | 1 | 13069B001 | 1 | 13069B001 | 1 | 13069B002 | 1 | 13069B002 |
| 14 | Cap Screw, 1/4"-20 Thread, 1" Long, Diffuser to Bracket | 3 | 19099A012 | 3 | 19099A012 | 3 | 19099A012 | 3 | 19099A012 |
| 15 | "O" Ring, 1 1/2" I.D., 1 3/4" O.D., 1/8" diameter, Rubber, Diffuser to Case | 1 | 05876A007 | 1 | 05876A007 | | | | |
| 15 | "O" Ring, 1 5/8" I.D., 1 7/8" O.D., 1/8" diameter, Rubber, Diffuser to Case | | | | | 1 | 05876A040 | 1 | 05876A040 |
| 18 | Gasket, 6 7/8" x 6 7/32" x 1/64", Paper, Case to Bracket | 1 | 05059A332 | 1 | 05059A332 | | | | |
| 18 | Gasket, 7 3/4" x 7 1/32" x 1/64", Paper, Case to Bracket | | | | | 1 | 05059A354 | 1 | 05059A354 |
| 19 | Case | 1 | 14438D000 | 1 | 14438D000 | 1 | 14448D000 | 1 | 14448D000 |
| 20 | Cap Screw, 3/8"-16 NC, 1 1/4" Long, Case to Bracket | 4 | 19101A020 | 4 | 19101A020 | | | | |
| 20 | Cap Screw, 7/16"-14 NC, 1 1/2" Long, Case to Bracket | | | | | 6 | 19102A012 | 6 | 19102A012 |
| 21 | Pipe Plug, 1/8" Pipe, to Drain Case | 2 | 05022A004 | 2 | 05022A004 | 2 | 05022A004 | 2 | 05022A004 |
| 34 | Male Elbow Fitting, 1/4" | 1 | 23188A002 | 1 | 23188A002 | 1 | 23188A002 | 1 | 23188A002 |
| 35 | Tube | 1 | 10649A120 | 1 | 10649A120 | 1 | 10649A120 | 1 | 10649A120 |
| 36 | Switch, Set 20-40 Lbs. | 1 | 15760A000 | 1 | 15760A000 | 1 | 15760A000 | 1 | 15760A000 |
| | Conduit Nipple, Switch Mounting - for Units with Separate Nipple | 1 | 15021A001 | 1 | 15021A001 | 1 | 15021A001 | 1 | 15021A001 |
| | Lock Nut for 1/2" Conduit | 1 | 08715A000 | 1 | 08715A000 | 1 | 08715A000 | 1 | 08715A000 |
| 36A | Pressure Gauge, 100 Lbs. | 1 | 05003A001 | 1 | 05003A001 | 1 | 05003A001 | 1 | 05003A001 |
| 37 | Pipe Ring, Rubber, for 1" Pipe | 1 | 05014A125 | 1 | 05014A125 | | | | |
| 38 | Pipe Ring, Rubber, for 1 1/4" Pipe | 1 | 05014A124 | 1 | 05014A124 | 1 | 05014A124 | 1 | 05014A124 |
| 39 | Adapter Plate, 1" x 1 1/4" Pipe | 1 | 14445B000 | 1 | 14445B000 | | | | |
| 39 | Adapter Plate, 1 1/4" x 1 1/4" Pipe | | | | | 1 | 14451B000 | 1 | 14451B000 |
| 40 | Cap Screw, 1/2"-13 NC, 1 1/4" Long, Adapter Plate to Case | 2 | 19103A004 | 2 | 19103A004 | 2 | 19103A004 | 2 | 19103A004 |
| 40A | Washer, Flat | 2 | 05030A015 | 2 | 05030A015 | 2 | 05030A015 | 2 | 05030A015 |
| 41 | Regulator, 3/4" Pipe, Refer to Section 1020, Page 21 | 1 | 15495B000 | 1 | 15495B000 | | | | |
| 41 | Regulator, 1" Pipe, Refer to Section 1020, Page 21 | | | | | 1 | 15496B000 | 1 | 15496B000 |
| 42 | Female Adapter, 1" x 1" Plastic Pipe | 1 | 14582A000 | 1 | 14582A000 | | | | |
| 43 | Female Adapter, 1 1/4" x 1 1/4" Plastic Pipe | 1 | 14583A000 | 1 | 14583A000 | 2 | 14583A000 | 2 | 14583A000 |
| | Regulator Pkg. - Consists of Ref. Nos. 33-35, 41-43 | 1 | 14446A006 | 1 | 14446A006 | 1 | 14446A005 | 1 | 14446A005 |
| | Accessories (Not Shown) | | | | | | | | |
| | Air Control Pkg. - Consists of Ref. Nos. 44-48 | 1 | 14446A000 | 1 | 14446A000 | 1 | 14446A000 | 1 | 14446A000 |
| 44 | Air Control | 1 | 13809A000 | 1 | 13809A000 | 1 | 13809A000 | 1 | 13809A000 |
| 45 | Compression Nut | 2 | 05519A001 | 2 | 05519A001 | 2 | 05519A001 | 2 | 05519A001 |
| 46 | Compression Sleeve | 2 | 05518A001 | 2 | 05518A001 | 2 | 05518A001 | 2 | 05518A001 |
| 47 | Copper Tube, 1/4" Tube 36" Long | 1 | 05517A002 | 1 | 05517A002 | 1 | 05517A002 | 1 | 05517A002 |
| 48 | Male Straight Connector, 1/8" Pipe, 1/4" Tube | 1 | 12567A001 | 1 | 12567A001 | 1 | 12567A001 | 1 | 12567A001 |
| 49 | Hose, 3/4" I.D., 9 1/2" Long | 1 | 06857A017 | | | | | | |
| 50 | Hose, 3/4" I.D., 12" Long | 1 | 06857A025 | 1 | 06857A025 | | | | |
| 51 | Hose Clamp for 3/4" I.D. Hose | 2 | 14740A001 | 2 | 14740A001 | | | | |
| 52 | Electrical Cord | 2 | 09859A060 | 2 | 09859A060 | 2 | 09859A060 | 2 | 09859A060 |

For Ejector Packages, See Section 1020, Page 400.

Myers®

F.E. Myers, 1101 Myers Parkway, Ashland, Ohio 44805-1969
419/289-1144, FAX: 419/289-6658, TLX: 948-7443