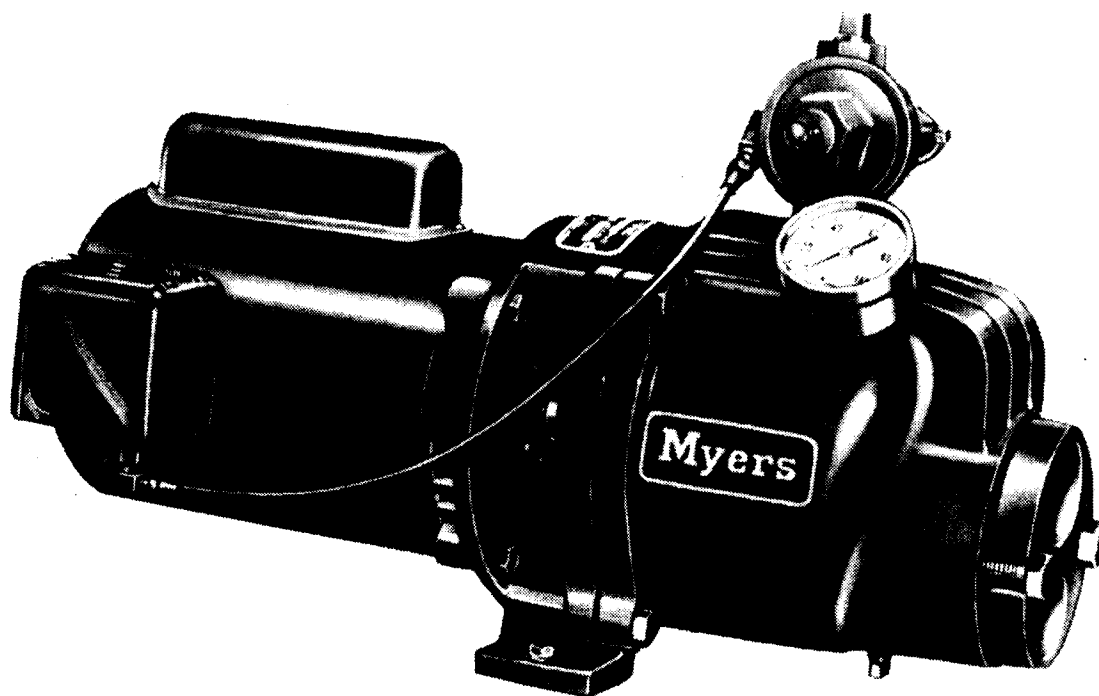


**Myers®**

# HCM Convertible Pump Parts List

Two Stage - Shallow or Deep Well - 1/2, 3/4, 1, 1 1/2 HP

---



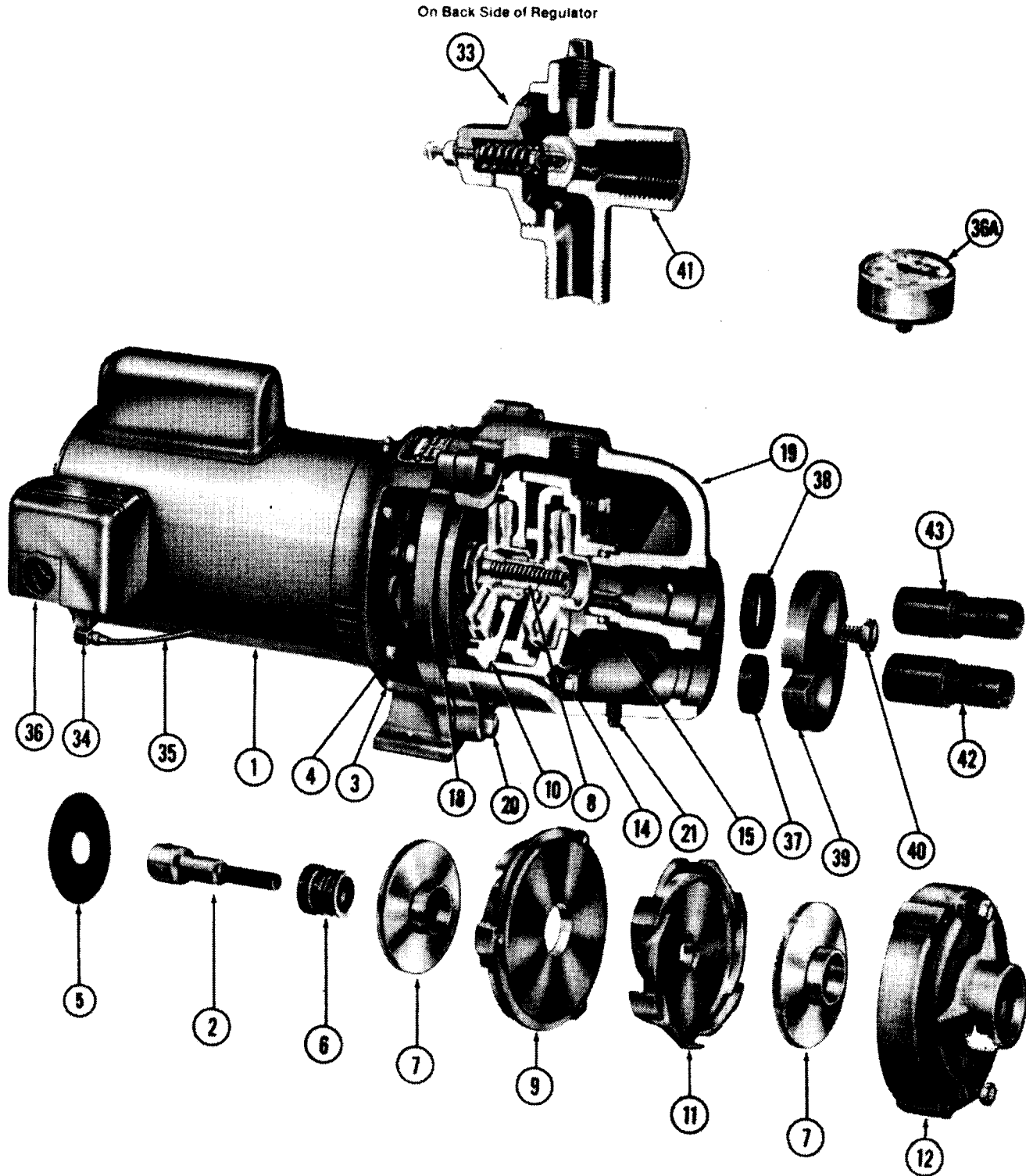
Serial Numbers 1058 and 460 Plus Year Made.

ILLUSTRATION Serial Number 460

# HCM Basic Model Pump Parts List

Single Phase - 60 Cycle - 1/2, 3/4, 1, 1 1/2 HP

Serial Numbers 1058 and 460 Plus Year Made. ILLUSTRATION AND PARTS LIST Serial Number 460.



# HCM Basic Model Pump Parts List

Single Phase - 60 Cycle - 1/2, 3/4, 1, 1 1/2 HP

PUMP NAME PLATE CATALOG NUMBER		HCM-50		HCM-75		HCM-100		HCM-150	
MOTOR HORSEPOWER		1/2		3/4		1		1 1/2	
CYCLES OF MOTOR		60		60		60		60	
Ref. No.	NAME OF PART	No. Req.	PART NO.	No. Req.	PART NO.	No. Req.	PART NO.	No. Req.	PART NO.
1	Motor, 1/2 HP	1	11537A000						
1	Motor, 3/4 HP			1	11574A000				
1	Motor, 1 HP					1	11578A000		
1	Motor, 1 1/2 HP							1	11708A000
2	Shaft with Set Screws	1	14458A001	1	14458A001	1	14458A001	1	14458A001
	Set Screws for Shaft	2	05013A048	2	05013A048	2	05013A048	2	05013A048
3	Motor Bracket	1	12523D001	1	12523D001	1	14447D001	1	14447D001
4	Cap Screw, 3/8"-16 NC, 7/8" Long, Bracket to Motor	4	19101A008	4	19101A008	4	19101A008	4	19101A008
5	Slinger - for Units with Separate Slinger	1	05059A318	1	05059A318	1	05059A318	1	05059A318
6	Seal for Shaft	1	11416A000	1	11416A000	1	11416A000	1	11416A000
7	Impeller	2	14327B002	2	14327B001	2	14573B000	2	14328B000
8	Spacer Sleeve	1	14489A000	1	14489A000	1	14489A000	1	14489A000
9	Diffuser	1	14723C001	1	14490C001	1	14491C001	1	14492C001
	Wearing Ring for Units with Wearing Ring	1	14500A000	1	14500A000	1	14500A000	1	14500A000
10	Gasket, Diffuser and Diffuser Housing	1	06470A024	1	06470A021	1	06470A022	1	06470A023
11	Crossover Diffuser	1	14724C000	1	14493C000	1	14494C000	1	14495C000
12	Diffuser Housing	1	14725C001	1	14496C001	1	14497C001	1	14498C001
	Wearing Ring for Units with Wearing Ring	1	14500A000	1	14500A000	1	14500A000	1	14500A000
	Cap Screw, 1/4"-20 thread, 1 1/2" Long, to Remove Diffuser Housing	2	19099A014	2	19099A014	2	19099A014	2	19099A014
14	Cap Screw, 1/4"-20 Thread, 2 3/8" Long, Diffuser and Diffuser Housing	3	19099A016	3	19099A016	3	19099A016	3	19099A016
15	"O" Ring, 1 1/2" I.D., 1 3/4" O.D., 1/8" dia., Rubber, Diffuser Housing and Case	1	05876A007	1	05876A007	1	05876A007	1	05876A007
18	Gasket, 6 7/8" x 6 7/32" x 1/32", Paper, Case to Bracket	1	05059A332	1	05059A332				
18	Gasket, 7 1/4" x 7 1/32" x 1/32", Paper, Case to Bracket					1	05059A354	1	05059A354
19	Case	1	14438D001	1	14438D001	1	14448D001	1	14448D001
20	Cap Screws, 3/8"-16 NC, 1 1/4" Long, Bracket to Case	4	19101A020	4	19101A020				
20	Cap Screws, 7/16"-14 NC, 1 1/2" Long, Bracket to Case					6	19102A012	6	19102A012
21	Pipe Plug, 1/8" Pipe, to Drain Case	2	05022A004	2	05022A004	2	05022A004	2	05022A004
33	Male Elbow Fitting, 1/8"	1	23188A001	1	23188A001	1	23188A001	1	23188A001
34	Male Elbow Fitting, 1/4"	1	23188A002	1	23188A002	1	23188A002	1	23188A002
35	Tube	1	10649A120	1	10649A120	1	10649A120	1	10649A120
36	Switch, Set 30-50 Lbs.	1	15760A001	1	15760A001				
36	Switch, Set 40-60 Lbs.					1	15760A002	1	15760A002
	Conduit Nipple, Switch Mounting - for Units with Separate Nipple	1	15021A001	1	15021A001	1	15021A001	1	15021A001
	Lock Nut for 1/2" Conduit	1	08715A000	1	08715A000	1	08715A000	1	08715A000
36A	Pressure Gauge, 100 Lbs.	1	05003A001	1	05003A001	1	05003A001	1	05003A001
37	Pipe Ring, Rubber, for 1" Pipe	1	05014A125	1	05014A125				
38	Pipe Ring, Rubber, for 1 1/4" Pipe	1	05014A124	1	05014A124	2	05014A124	2	05014A124
39	Adapter Plate, 1" x 1 1/4" Pipe	1	14445B000	1	14445B000				
39	Adapter Plate, 1 1/4" x 1 1/4" Pipe					1	14451B000	1	14451B000
40	Cap Screw, 1/2"-13 NC, 1 1/4" Long, Adapter Plate to Case	2	19103A004	2	19103A004	2	19103A004	2	19103A004
40A	Washer, Flat	2	05030A015	2	05030A015	2	05030A015	2	05030A015
41	Regulator, 3/4" Pipe, Refer to Section 1020, Page 21	1	15495B000	1	15495B000				
41	Regulator, 1" Pipe, Refer to Section 1020, Page 21					1	15496B000	1	15496B000
42	Female Adapter, 1" x 1" Plastic Pipe	1	14582A000	1	14582A000				
43	Female Adapter, 1 1/4" x 1 1/4" Plastic Pipe	1	14583A000	1	14583A000	2	14583A000	2	14583A000
	Regulator Pkg. - Consists of Ref. Nos. 33-35, 41-43	1	14446A006	1	14446A006	1	14446A005	1	14446A005
	<b>Accessories (Not Shown)</b>								
	Air Control Pkg. - Consists of Ref. Nos. 44-48	1	14446A000	1	14446A000	1	14446A000	1	14446A000
44	Air Control	1	13809A000	1	13809A000	1	13809A000	1	13809A000
45	Compression Nut	2	05519A001	2	05519A001	2	05519A001	2	05519A001
46	Compression Sleeve	2	05518A001	2	05518A001	2	05518A001	2	05518A001
47	Copper Tube, 1/4" Tube, 36" Long	1	05517A002	1	05517A002	1	05517A002	1	05517A002
48	Male Straight Connector, 1/8" Pipe, 1/4" Tube	1	12567A001	1	12567A001	1	12567A001	1	12567A001
50	Hose, 3/4" I.D., 12" Long	1	06857A025	1	06857A025				
51	Hose Clamp for 3/4" I.D. Hose	2	14740A001	2	14740A001				
52	Electrical Cord	2	09859A060	2	09859A060	2	09859A060	2	09859A060

Switches Nos. 14501A001, 14501A002 and 14581A000 are replaced with Switch, Tube and Male Elbow Fittings as listed.

## Myers®

F.E. Myers, 1101 Myers Parkway, Ashland, Ohio 44805-1969  
419/289-1144, FAX: 419/289-6658, TLX: 948-7443