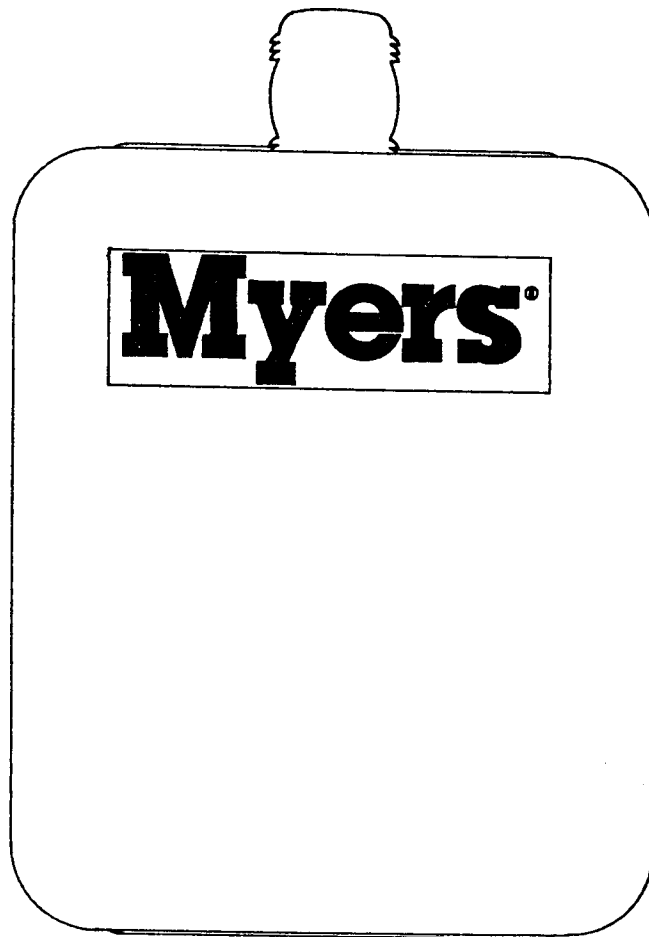


INSTALLATION AND
SERVICE INSTRUCTIONS FOR

Myers®

Myers PA-1 & PA-2 ALARM PANELS

PA-1 (FOR 115V, 1PH SERVICE)
PA-2 (FOR 230V, 1PH SERVICE)



APPLICATION

This panel is to be used as an alarm and pump disconnect.

ENCLOSURE

The enclosure is a NEMA 4X fiberglass that may be mounted inside or outside. Mounting feet are supplied on the exterior of the box. A hinged door with stainless steel lockable hasps is supplied.

LIGHT

The alarm light is a 15 watt, high intensity light enclosed by a red acrylic globe. The light bulb is a medium base appliance bulb that may be easily removed from inside the enclosure.

CIRCUIT BREAKER

A 20 amp single pole circuit breaker is supplied with the panel for 115V service. A 20 amp double pole circuit breaker is supplied with the panel for 230V service. The circuit breaker provides a convenient method of disconnecting the power to the pump and alarm for maintenance or service.

TERMINAL BLOCKS

Box clamp terminal blocks are provided for connecting both pump and high water alarm float leads.

FUSE

A 1 amp fuse is supplied for alarm circuit protection.

WARNING:

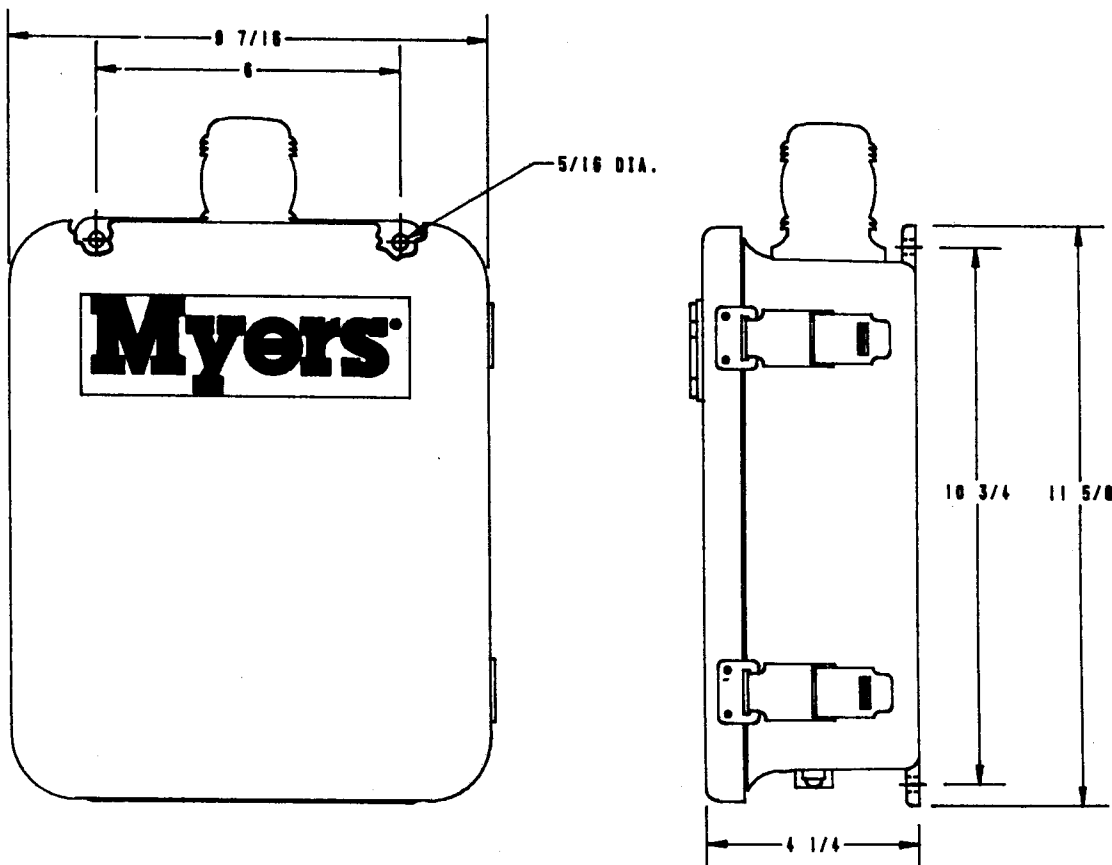
Do not attempt to wire this control box unless you have a good working knowledge of electricity and are familiar with state and local codes. If you are in

doubt about anything, contact an electrician.

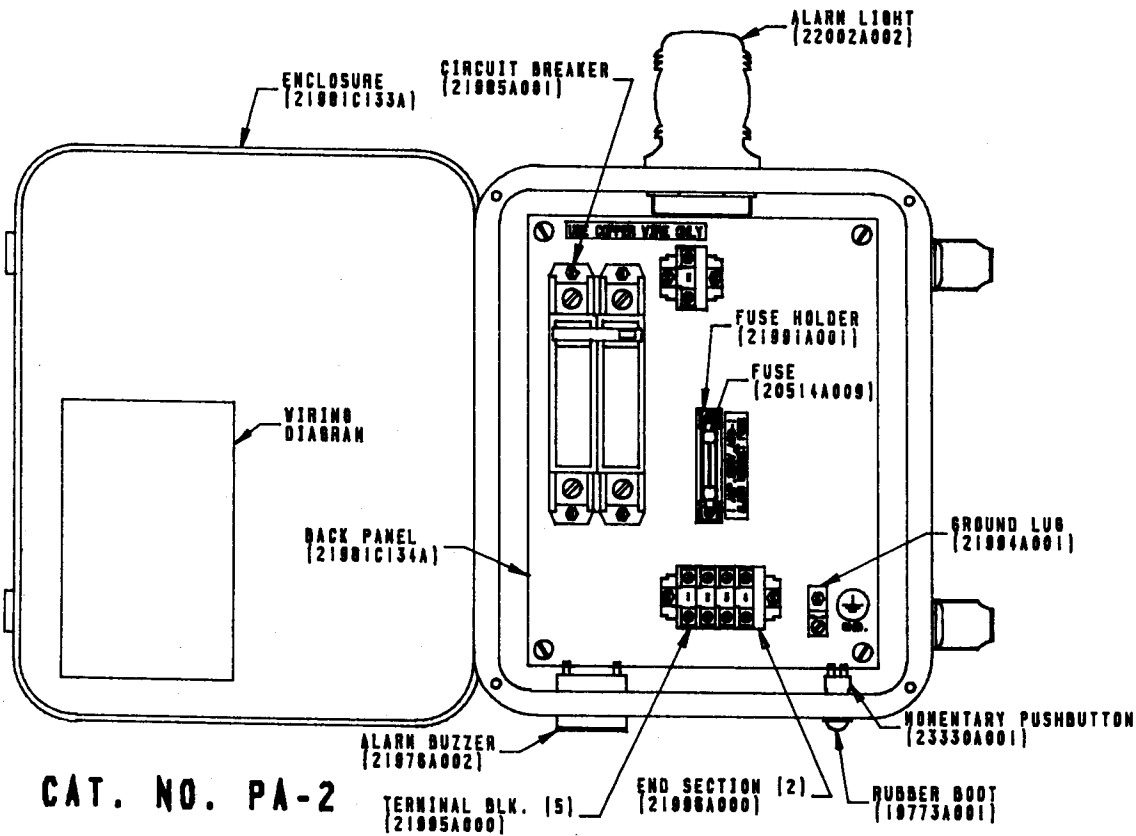
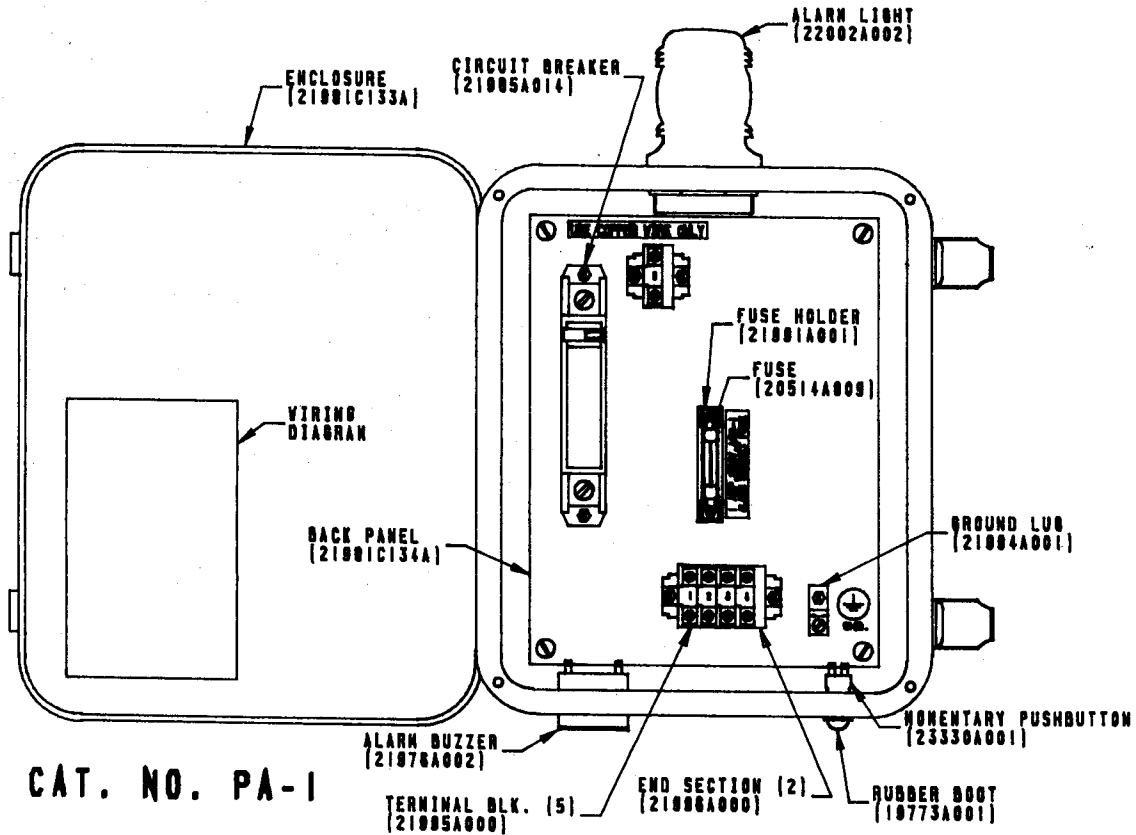
The power supply for the control box will vary depending upon which particular model you have purchased. **Do not attempt to operate this unit on any other voltage or power distribution other than for which it was originally designed. Failure to comply with this will result in the immediate cancellation of all warranties and claims.**

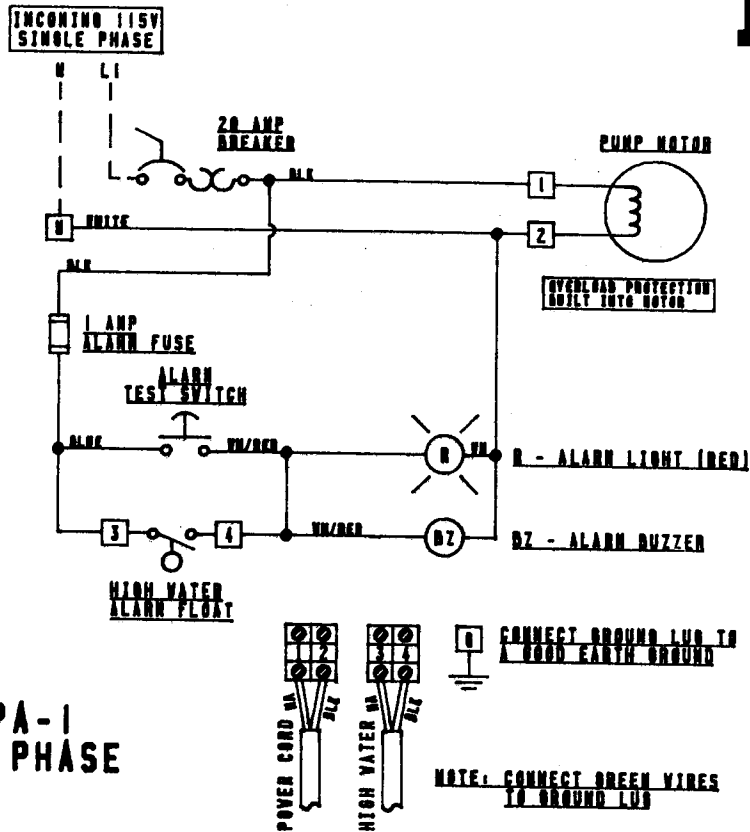
INSTALLATION

1. Select a convenient location and mount the alarm enclosure on a stable vertical support by means of the four mounting holes in the mounting feet on the back of the enclosure.
2. Connect incoming power to the circuit breaker (top lugs) and neutral terminal block. All necessary ground wires should be connected to the ground lug at the bottom of the panel. The ground lug should be fastened to a good driven earth ground by one of the methods described in the National Electric Code.
3. Run wires from the pump and connect to terminals 1 and 2.
4. Run wires from high water alarm float and connect to terminals 3 and 4.
5. You may test the alarm circuit by manually activating the float switch or by pushing the test switch on the outside of the enclosure.
6. The enclosure may be locked by inserting a padlock (not supplied) through either of the enclosure hasps.

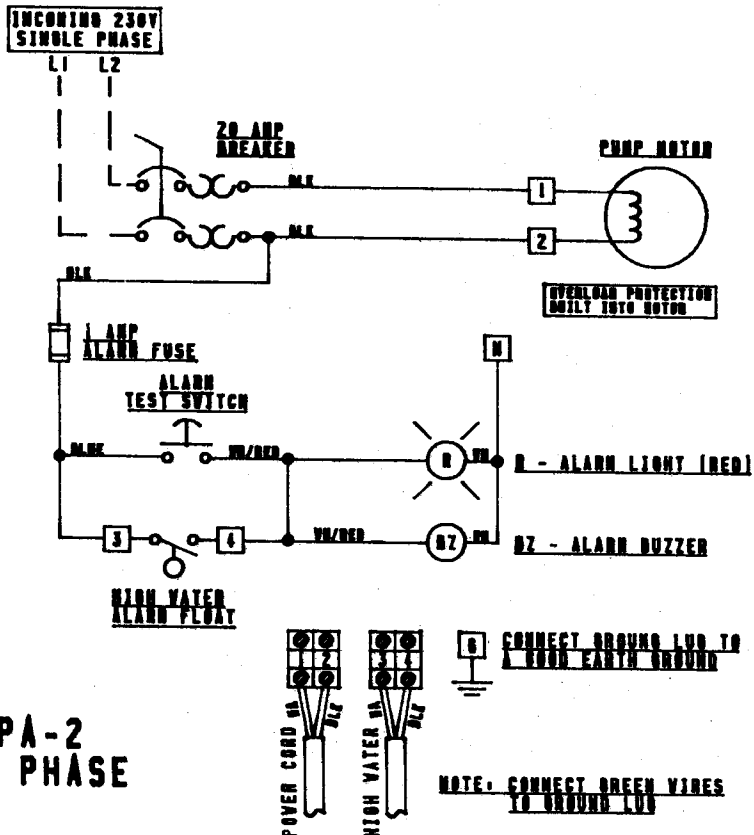


Myers PA-1 & PA-2 ALARM PANELS



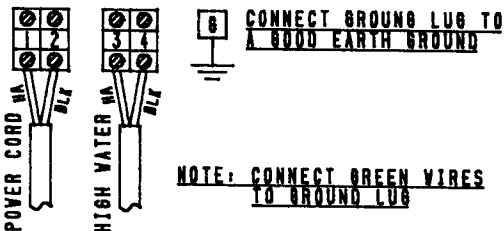
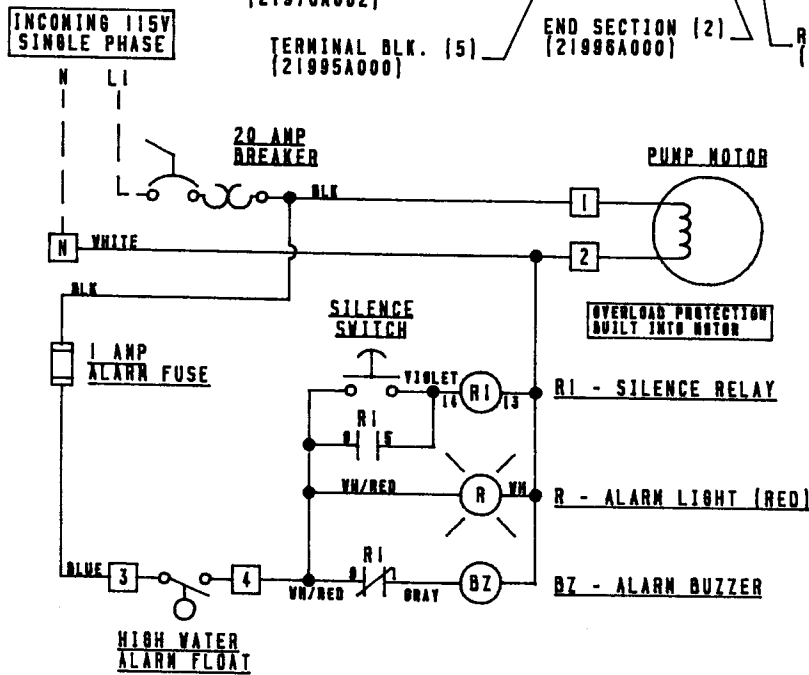
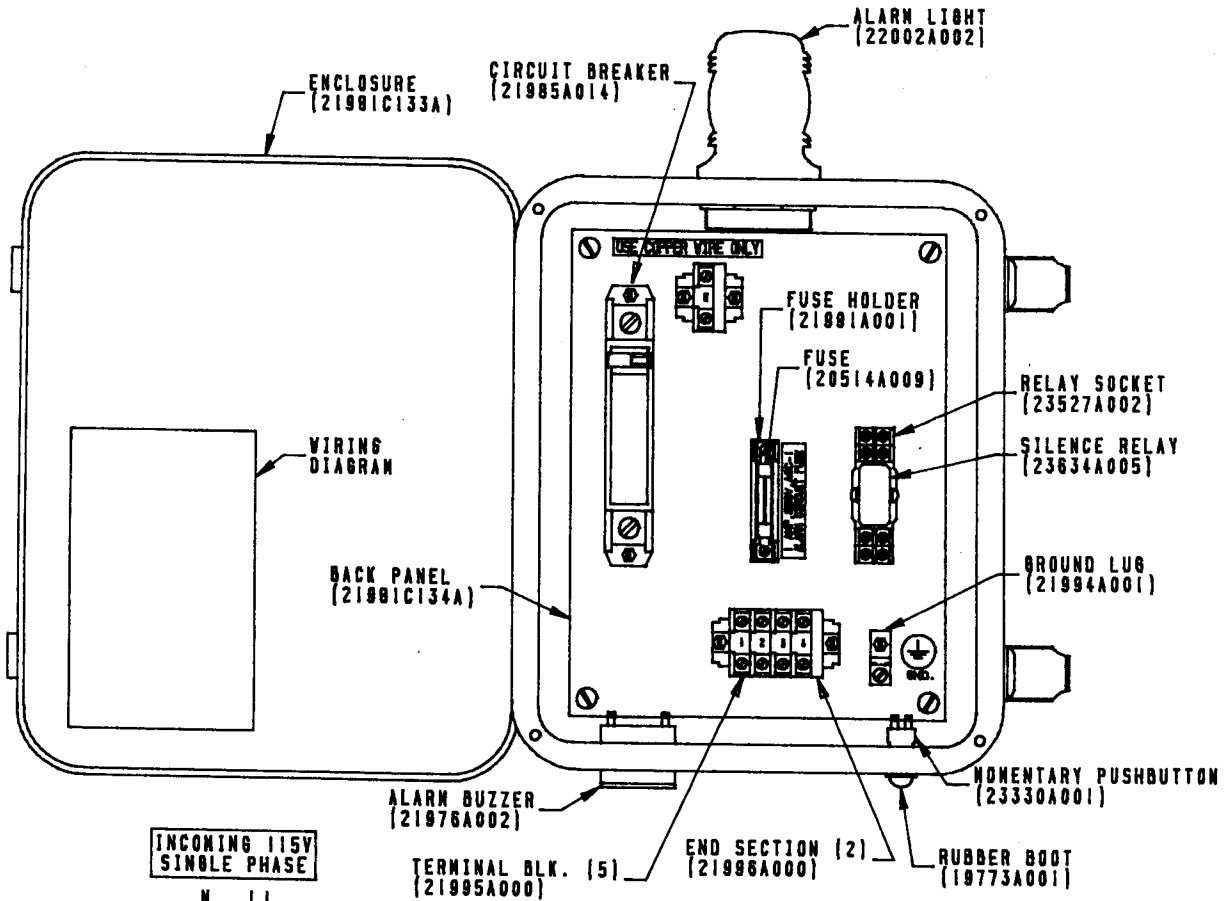


CAT. NO. PA-1
115 VOLT, 1 PHASE



CAT. NO. PA-2
230 VOLT, 1 PHASE

Myers PA-1 & PA-2 ALARM PANELS



CAT. NO. PA-1S
 115 VOLT, 1 PHASE

F.E. Myers, A Pentair Company, 1101 Myers Parkway, Ashland, Ohio 44805-1923
 419/289-1144 FAX 419/289-6658 Telex 98-7443